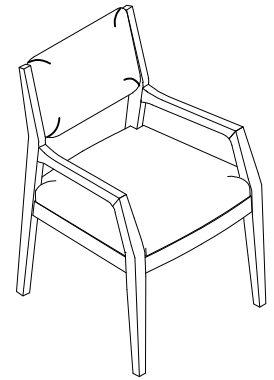



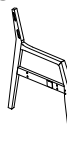


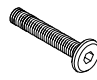




Warning :

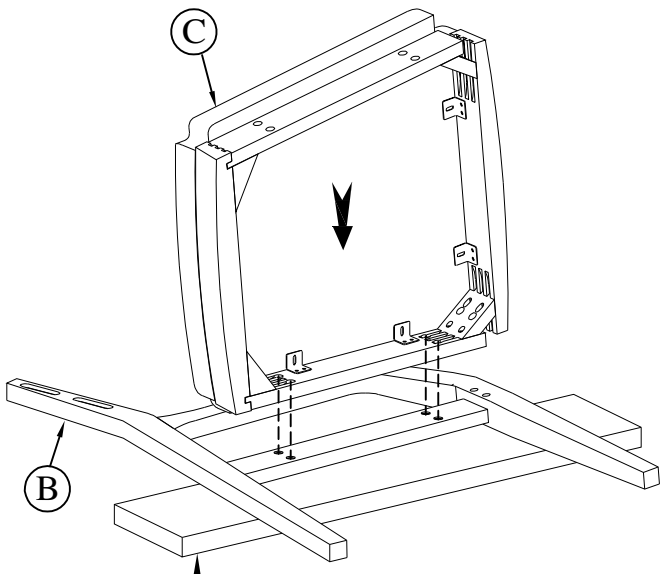
- Be sure to check all packing material carefully for small parts, which may have come loose inside the carton during shipment.
- To prevent possible scratches and damage, this furniture must be assembled on a soft surface such as a blanket or carpet.



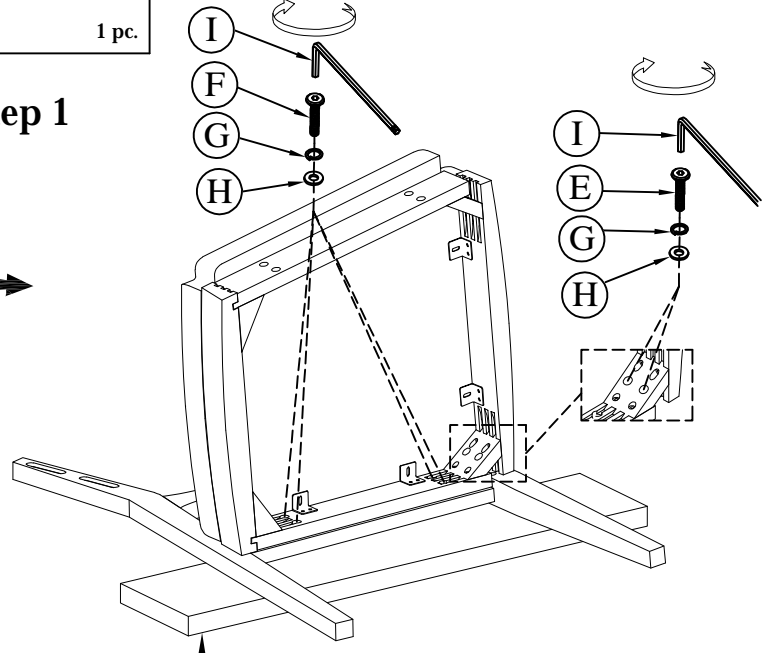
39358
Uph Arm Chair 2in

Components and Hardware List

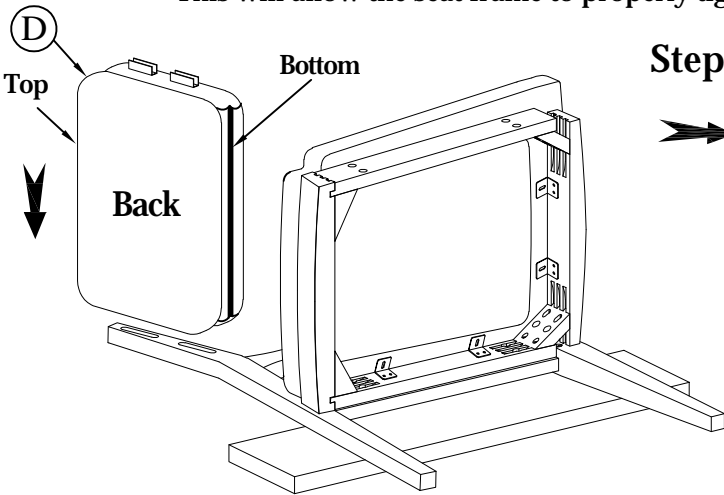
<p>Left Chair Side</p>  <p>(A) 1 pc.</p>	<p>Right Chair Side</p>  <p>(B) 1 pc.</p>	<p>Seat Frame</p>  <p>(C) 1 pc.</p>	<p>Chair Back</p>  <p>(D) 1 pc.</p>	<p>Allen Head Bolt Ø5/16"-18 x 2-3/4"</p>  <p>(E) 4 pcs.</p>
<p>Allen Head Bolt Ø5/16"-18 x 1-1/2"</p>  <p>(F) 8 pcs.</p>	<p>Spring Washer 5/16"</p>  <p>(G) 12 pcs.</p>	<p>Flat Washer 5/16"x Ø19mm</p>  <p>(H) 12 pcs.</p>	<p>Allen Key 4mm</p>  <p>(I) 1 pc.</p>	



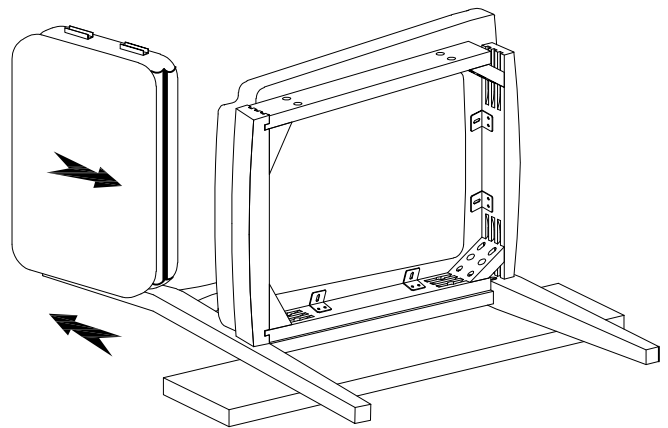
Step 1



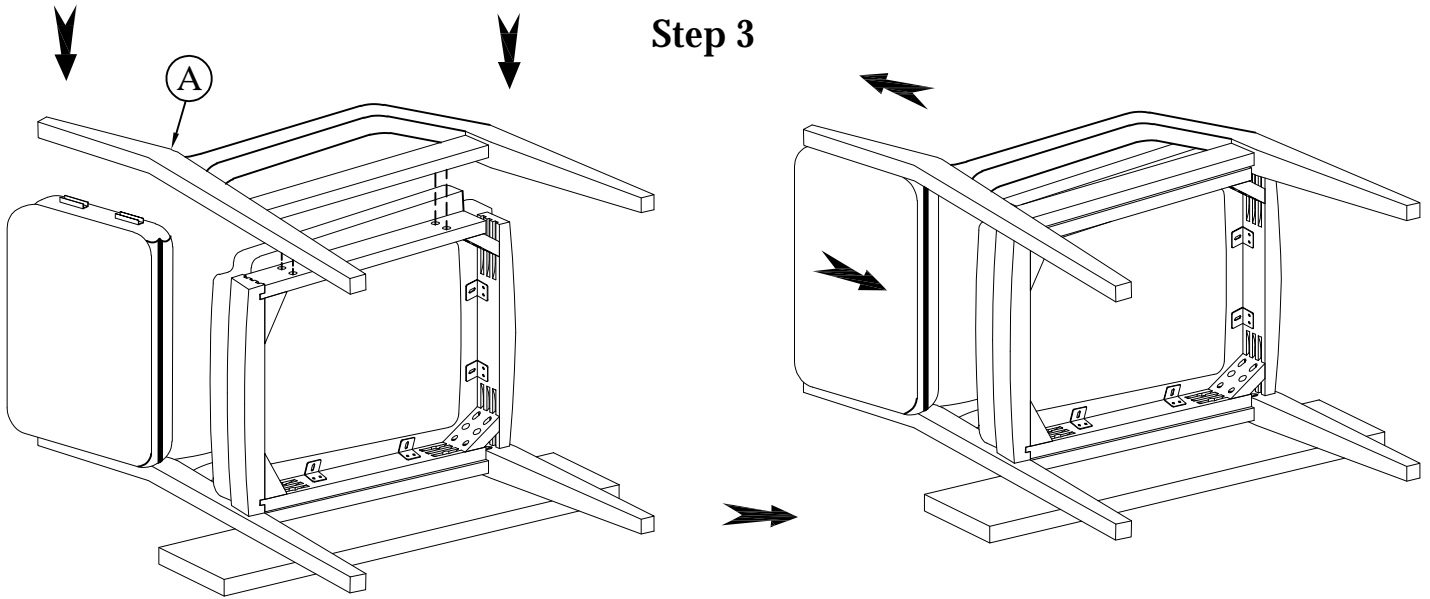
Attention : When attaching the seat frame, use a piece of flat Styrofoam from the packaging, placing it under the side assembly to assist in creating a gap between the floor and the seat cushion. This will allow the seat frame to properly tighten to the end assembly.



Step 2



Step 3



Step 4

Complete

